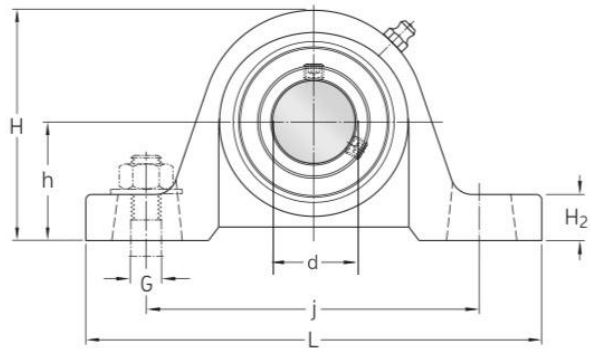
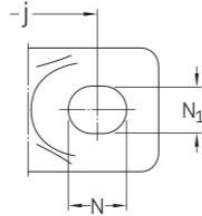
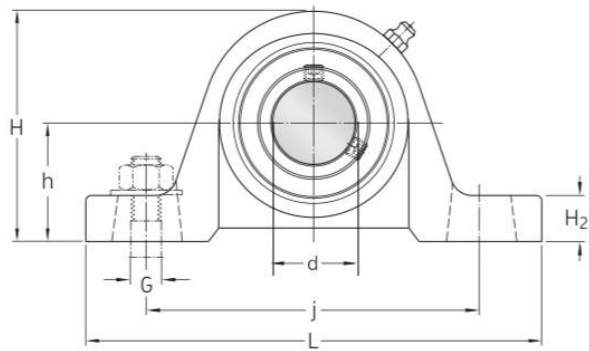
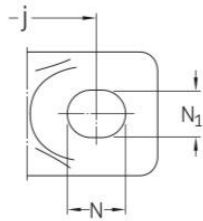


MSD



Block Type	Bearing	d (mm)	h (mm)	j (mm)	Bolt Size	Mass (Kg)
UCP	204	20	33.3	95	M10	0.56
UCF			-	64		0.54
UCFL			-	90		0.41
UCT			76	-		0.6
	204-12	19.05				
UCP	205	25	36.5	105	M10	0.7
UCF			-	70		0.67
UCFL			-	99		0.56
UCT			76	-		0.7
	205-16	25.4				
UCP	206	30	42.9	121	M14	1.06
UCF			-	83		0.95
UCFL			-	117		0.83
UCT			89	-		1.06
	206-18	28.575				
UCP	207	35	47.6	127	M14	1.35
UCF			-	92		1.21
UCFL			-	130		1.08
UCT			102	-		1.46
	207-20	31.75				
UCP	208	40	49.2	137	M14	1.63
UCF			-	102		1.58
UCFL			-	144		1.33
UCT			102	-		1.8
	208-24	38.1				
UCP	209	45	54	146	M14	1.93
UCF			-	105		1.78
UCFL			-	148		1.67
UCT			102	-		1.9
	209-28	44.45				

MSD



Block Type	Bearing	d (mm)	h (mm)	j (mm)	Bolt Size	Mass (Kg)
UCP	210	50	57.2	159	M16	2.33
UCF			-	111		2.05
UCFL			-	157		1.85
UCT			130	-		2.2
	210-32	50.8				
UCP	211	55	63.5	171	M16	2.9
UCF			-	130		2.7
UCFL			-	184		2.4
UCT			130	-		3.17
	211-32	50.8				
UCP	212	60	69.8	184	M16	3.82
UCF			-	143		3.75
UCFL			-	202		3.4
UCT			151	-		4
	212-36					
UCP	213	65	76.2	203	M20	4.1
UCF			-	149		4.2
UCT			151	-		5.7
	213-40	63.5				
UCP	214	70	79.4	210	M20	5.3
UCF			-	152		4.8
UCT			151	-		6.5
UCP	215	75	82.6	217	M20	5.9
UCF			-	159		5.5
UCT			151	-		7
	215-48	76.2				
UCP	216	80	88.9	232	M20	7.29
UCF			-	165		7
UCT			165	-		8
UCP	217	85	95.2	247	M20	8.5
UCF			-	175		8
UCT			198	-		8.2
UCP	218	90	101.6	262	M22	10.75
UCF			-	187		10
UCT			215	-		10.5